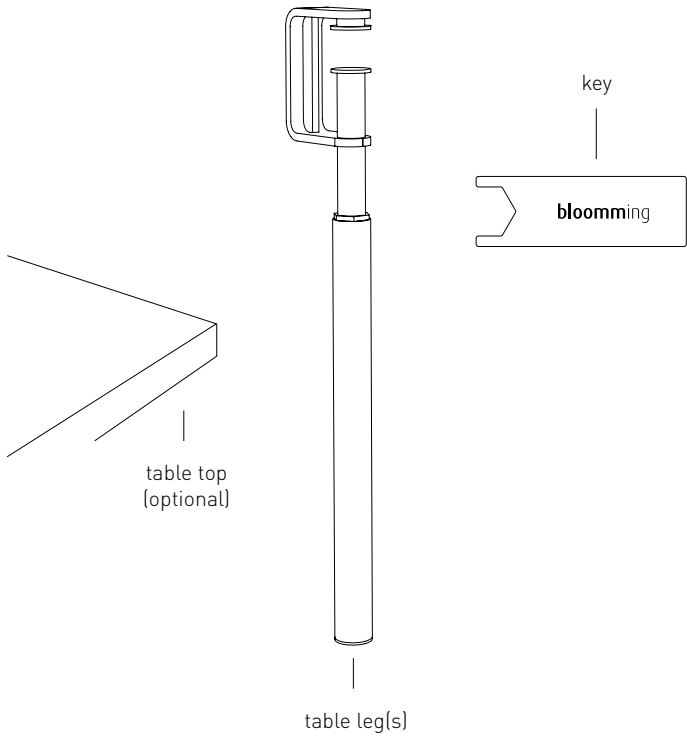


INSTALLATION GUIDE

blooming

1

Contents





2

Clamp

1. Turn the leg clockwise to open the clamp
2. Turn the leg anti-clockwise to clamp your table top

*turn it tight, but not too tight

3

Table height

1. Use the key to unlock the nut
2. Now determine the height of your table by turning the leg
3. Use the key to lock the nut

*Make sure that every table leg has exact the same height otherwise you'll get a wobbly table.



*Please
install this product
with two or more
people*



Enjoy your table!